

Powr-Flite®

OPERATOR'S MANUAL & PARTS LIST

PAS17BA

(Base Unit Only)

PAS17BA-BC

(with Batteries and Charger)



WARNING: OPERATOR MUST READ AND UNDERSTAND THIS MANUAL COMPLETELY BEFORE OPERATING THIS EQUIPMENT.

Save These Instructions

TABLE OF CONTENTS

Warranty	3
Safety Instructions	3
Machine Set-Up	4
Machine Specification.....	4
Daily Operation and Maintenance	5
How to Install Batteries.....	5
How to Charge the Batteries	5
How to Install the Squeegee.....	5
How to Install Pad Holder and Brush.....	5
How to Fill the Solution Tank	5
How To Operate The Machine	6
How to Turn the Vacuum Motor On and Off	6
How to Lower/Raise the Brush/Pad	6
How to Lower/Raise the Squeegee	6
How to Set the Solution Flow	6
What to Do When You're Operating The Machine	7
Vacuuming Up Solution	7
How to Control Excess Foam in the Recovery Tank	7
How to Empty the Recovery Tank	7
Maintenance	7
Daily	7
Weekly	7
Monthly	7
Replacement Parts:.....	8
Brush	8
Clutch Plate	8
Battery	8
Charger	8
Parts List:	8
Assembly List:.....	8
Chassis Assembly	9
Valve Assembly	9
Brush Assembly.....	10
Control Panel Assembly	10
Vacuum Motor Assembly	11
Float Assembly	11
Lift Assembly	12
Squeegee Assembly	12
Squeegee Lift Assembly	13
Vacuum Hose Assembly	14
Recovery Drain Hose Assembly	14
Solution Drain Hose Assembly	14
Troubleshooting	15

WARRANTY

The manufacturer warrants to the original purchaser that products manufactured are free from defects of workmanship and material, provided such goods are installed, operated and maintained in accordance with written manuals or other instructions for a period of 5 years from date of purchase on housings, tanks and frame, 2 years motors, 1 year parts and workmanship (excludes normal wear items). In case you as our customer, meet any trouble with your machine, contact your Powr-Flite representative who will be happy to be of service to you and will take care of the warranty settlement.

NOTE: Alterations and changes made to the machine without written approval of the manufacturer and use of unapproved spare parts will not be covered by warranty.

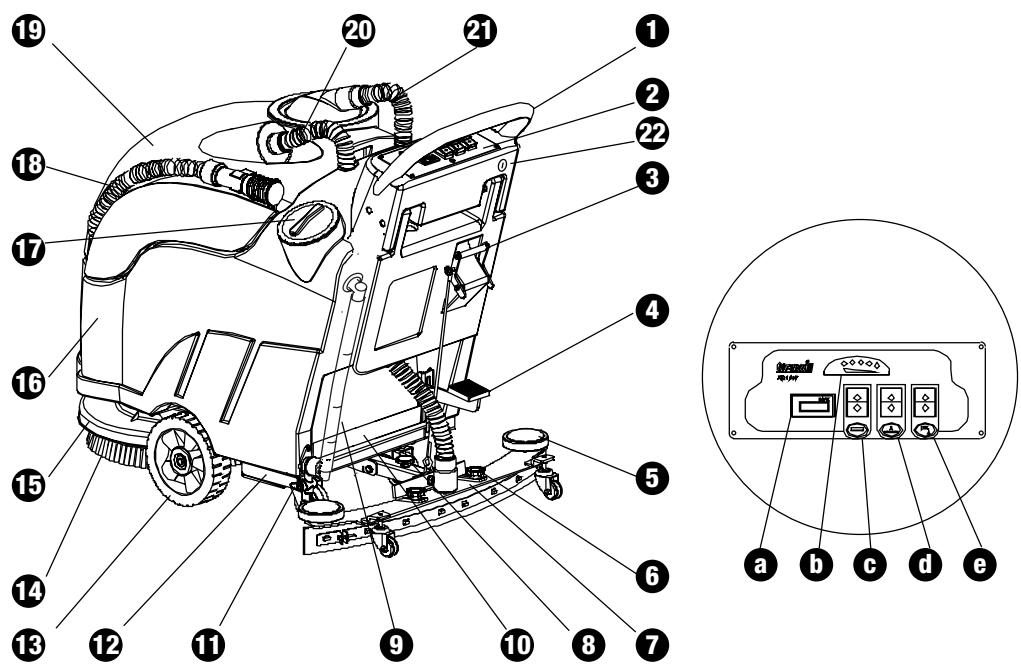
SAFETY INSTRUCTIONS

FOR COMMERCIAL USE

READ ALL INSTRUCTIONS BEFORE USING THIS MACHINE

- Use indoors only. Do not expose to rain.
- Do not allow it to be used as a toy. Use caution when operating near children.
- Use only as described in this manual.
- Use only manufacturer's recommended accessories.
- Charge batteries in a ventilated room. Gases given off during charging could ignite in a confined space. To avoid an explosion, top cover should be open and battery caps installed when charging.
- Disconnect all positive and negative battery terminals before attempting any adjustment or maintenance. Brush drive and vacuum motors and components can cause injury if accidentally started.
- Battery acid can cause injury to the eyes or skin. Wear protective goggles, gloves and clothing BEFORE filling or charging batteries.
- If charger is not working properly, (due to it being dropped, damaged, left outdoors or exposed to water) return it to a Powr-Flite Service Center.
- Do not handle the plug or machine with wet hands.
- Do not put any objects into openings. Keep the openings unblocked
- Keep it away from dust, lint, hair and anything that may reduce air flow.
- Keep hair, loose clothing, fingers and all body parts away from openings and moving parts.
- Make sure the main power switch is OFF before removing or installing pads or brushes.
- Never operate the machine if you are tired or under the influence of drugs and/or alcohol.
- Always operate the machine while standing behind it.
- Use care when working on electrical terminals. Short circuits can cause burns.
- Do not store the machine on inclines.

Machine Set-Up



- | | |
|-----------------------------------|------------------------------------|
| 1. Handle Bar | 10. Battery |
| 2. Control Panel | 11. Valve, Solution Volume Control |
| a.....Hour Meter | 12. Frame |
| bBattery Condition Indicator | 13. Wheel |
| c.....Brush Motor Switch | 14. Brush/Pad Holder |
| dVacuum Motor Switch | 15. Strap, Splash Guard |
| e.....Solution Switch | 16. Solution Tank |
| 3. Squeegee Release Handle | 17. Solution Fill Hole |
| 4. Brush Lift Pedal | 18. Recovery Drain Hose |
| 5. Wheel, Bump | 19. Recovery Tank |
| 6. Squeegee Mount Knob | 20. Squeegee Hose |
| 7. Squeegee | 21. Vacuum Hose |
| 8. Squeegee Tilt Knob | 22. Key Switch |
| 9. Water level sight tube | |

Machine Specification

PAS17BA+ AUTOMATIC SCRUBBER	
Brush Width	17"
Squeegee Width	30"
Solution Tank	11 gal.
Recovery Tank	12 gal.
Brush Rotation	200 rpm
Productivity Rate	12,700 ft ² per hour
Voltage	24 V
Vacuum Motor Power	.75 HP
Brush Motor Power	.75 HP
Weight (without Batteries)	210 lbs.
Length x Width x Height	49" x 26" x 44"

Daily Operation and Maintenance

How to Install Batteries

! **Caution: Batteries are heavy.**

Install (2) 12-volt deep cycle batteries. New Batteries should be given a full charge before first use.

1. Unplug the hoses (20, 21) from the recovery tank (19).
2. Make sure the recovery tank is empty then lift it up.
3. Place batteries on the tray. Use the bracket to secure them. Position them correctly.
4. Connect all the cable terminals.

! **Caution: Make sure you connect RED (+) cable terminals to positive (+) posts and BLACK (-) cable terminals to negative (-) posts. Machine will not operate if not connected properly. Failure to do so will result in damage to batteries and possible explosion.**

Spray each post with a protective lubricant. Place battery terminal protectors over all posts.



How to Charge the Batteries

! **Caution: Only use a battery charger designed for the machine. Failure to do so can result in damage to the batteries.**

Remove the recovery tank from machine and disconnect anderson plug from the control panel. Next connect the charging plug to the anderson plug connected to the battery terminal. Plug the other charger plug to wall outlet. The charger will automatically begin to charge the batteries.



How to Install the Squeegee

1. Put squeegee Release Handle (3) in the UP and locked position.
2. Position the squeegee blade assembly on the swing arm. Make sure the guide wheels face the rear of the squeegee.
3. Hand tighten the 2 thumb screw (6).
4. Place the solution recovery hose (20) over the nozzle. Make sure it fits tight.

How to Install Pad Holder and Brush

1. Raise the brush pad by stepping on Brush Lift Pedal (4) at the rear of the machine.
2. With the pad holder/brush (14) in lifted position, insert it into the plate underneath by turning it counter-clockwise until it locks.

How to Fill the Solution Tank

1. Open the solution fill cover (17).
2. Fill the tank (16) with the desired level of clean water.
3. Add cleaning chemical.

! **Do not overfill.**

How To Operate The Machine

1. To turn the power on, turn the key switch (22). The power/battery indicator (b) will light up.
2. Check the battery capacity to see if it is full – all indicators are lit up when batteries are fully charged.
3. To turn on the brush motor, vacuum motor and the solution flow, press the switches (c,d,e).

⚠ Turn off the brush motor when the brush deck is in the up position.

How to Turn the Vacuum Motor On and Off

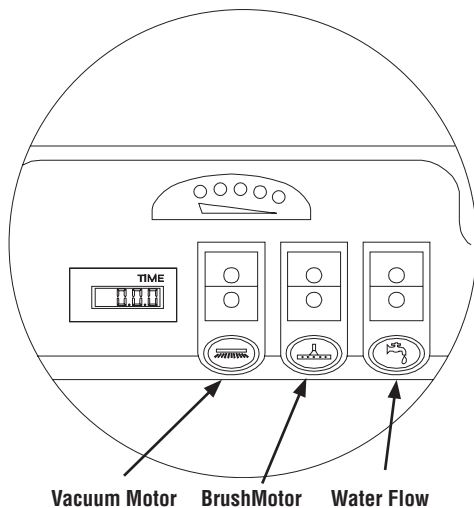
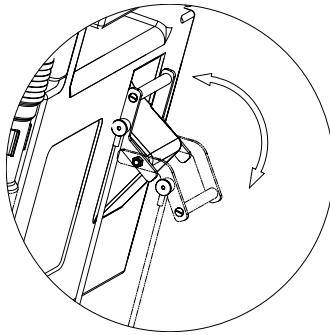
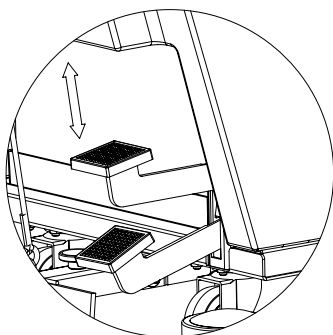
1. Push the top half of the right switch (d) down. This turns the vacuum motor on.
2. To turn the vacuum motor off, push the lower half of the right switch (d) down.

How to Lower/Raise the Brush/Pad

1. To raise the brush pad, step down on the Brush Lift Pedal (4) until it locks in place.
2. To lower the brush pad, slightly step on the Brush Lift Pedal (4) to unlock it, and raise it up slowly.

How to Lower/Raise the Squeegee

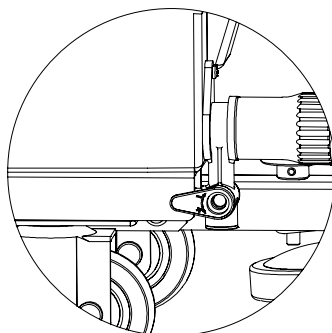
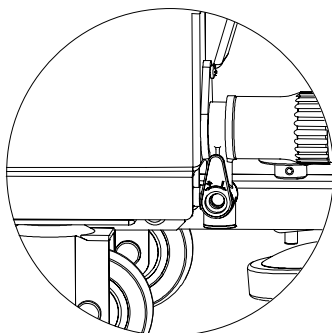
1. Pull the handle (3) down to lower the squeegee.
2. Lift the handle (3) up to raise the squeegee.



Vacuum Motor BrushMotor Water Flow

How to Set the Solution Flow

Adjust the water flow based on the floor conditions. Turn the adjustment knob (11) to control the water flow. Position 1 shows the closed position. Position 2 shows the maximum water flow position.



What to Do When You're Operating The Machine

Vacuuming Up Solution

1. Make sure the squeegee is in the down position.
2. As the machine moves forward and solution is dispensed, the squeegee will vacuum it up into the recovery tank.
3. If necessary adjust squeegee pressure by turning knob (8).

If solution is missed, reduce the amount of solution flow, raise the squeegee and pull the machine back over the missed area. Lower the squeegee and move the machine forward to pick up any remaining solution.

How to Control Excess Foam in the Recovery Tank

Watch the liquid as it accumulates in the recovery tank. If you notice excess foaming, stop the machine. Add the recommended amount of chemical defoamer in the recovery tank (19).

How to Empty the Recovery Tank

Open the Recovery Drain Hose (18) to empty the Recovery Tank (19).

Maintenance

Daily

1. Empty and rinse the recovery tank with clean water. Leave the tank cover (21) open on top to air dry.
2. Remove the squeegee assembly, rinse and wipe clean. Check the squeegee inlet for clogs or debris.
3. Clean and wipe the tops of batteries with an ammoniated window cleaner.
4. Fill each battery cell with DISTILLED water as needed. DO NOT use tap water.
5. Charge the batteries as described in this manual.

Weekly

 **Never test the strength of the battery unless it is fully charged and cool.**
Check the battery cells with a hydrometer.

Monthly

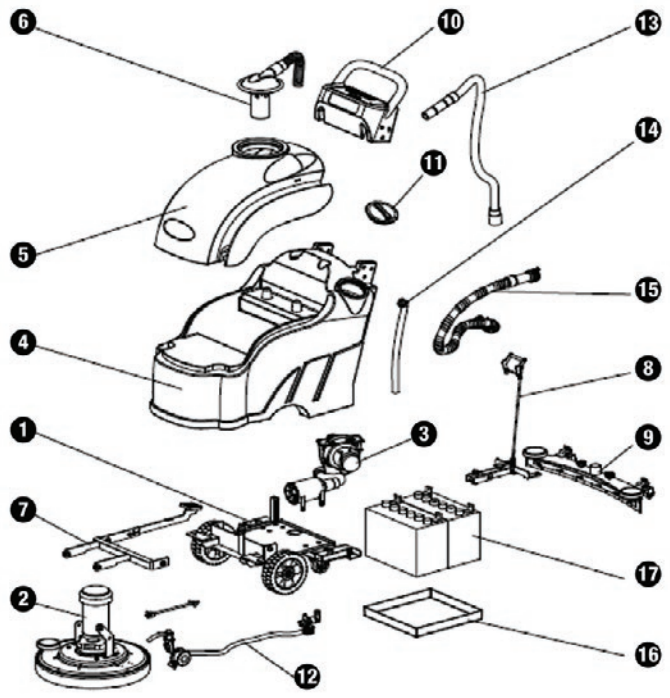
1. Lubricate brush and squeegee lift mechanisms with light oil.
2. Check for wear or damage of clutch plate, brushes, pads or squeegee blades.
3. Clean all battery terminals.
4. Check all electrical connections and tighten if any are loose.
5. Clean the entire machine with all purpose cleaner.

Replacement Parts

PART	DESCRIPTION
Brush	
SF616	Poly Scrub Brush (Optional)
PFLG16	Lite Grit Scrub Brush (Optional)
PFMG16	Medium Grit Scrub Brush (Optional)
PFHG16	Heavy Grit Scrub Brush (Optional)
Clutch Plate	
UP2P	Clutch Plate (must be used with all scrub brushes)
Pad Holder	
PAS17PD	17" Pad Driver
Battery	
B27TMX	12 Volt Battery (2 Required)
Charger	
EC24	24 Volt, 20 Amp Charger

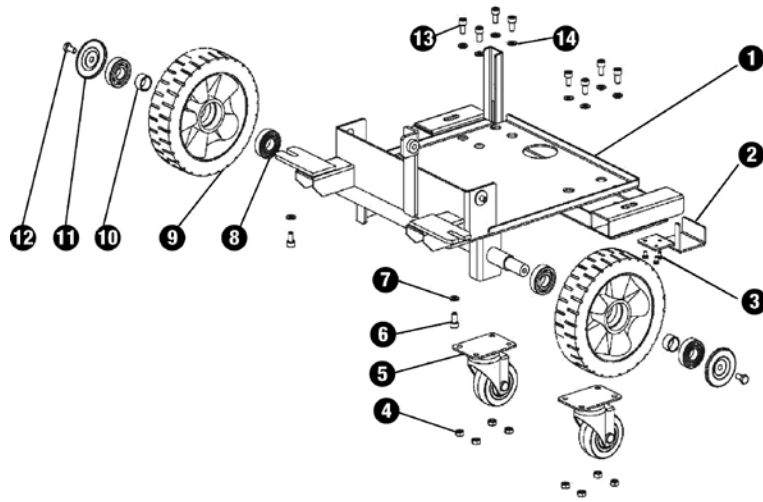
Parts List

Assembly List



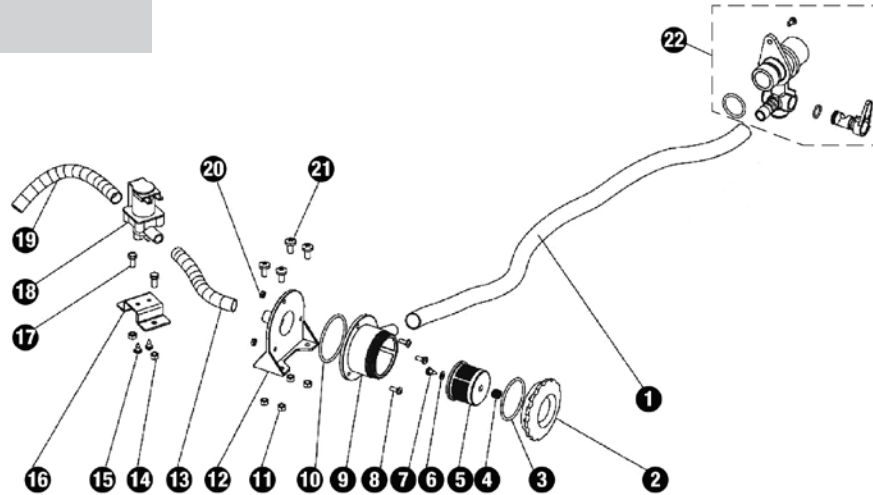
REF.	PART NO.	DESCRIPTION
1	See pg. 9	Chassis Assembly
2	See pg. 10	Brush Motor Assembly
3	See pg. 11	Vacuum Motor Assembly
4	33647	Solution Tank
5	33648	Recovery Tank
6	See pg. 11	Float Assembly
7	See pg. 12	Lift Assembly
8	See pg. 13	Squeegee Lift Assembly
9	See pg. 12	Squeegee Assembly
10	See pg. 10	Control Panel Assembly
11	33654	Cap
12	See pg. 9	Valve Filter Assembly
13	See pg. 14	Vacuum Hose Assembly
14	See pg. 14	Water Level Sight Tube
15	See pg. 14	Recovery Tank Hose Assembly
16	33659	Battery Holding Plate
17	33660	Hose Clip
18	B27TMX	12 V Battery (2 Required – see “Replacement Parts”)

Chassis Assembly



REF.	PART NO.	DESCRIPTION	QTY
1	33668	Chassis	1
2	33669	Bracket	1
3	33670	Screw	3
4	33671	Nut	8
5	33672	Castor	2
6	33673	Screw	4
7	33674	Washer	4
8	33675	Bearing	4
9	33676	Wheel	2
10	33677	Spacer	2
11	33678	Cap	2
12	33679	Bolt	2
13	33680	Screw	8
14	33681	Spring Washer	8

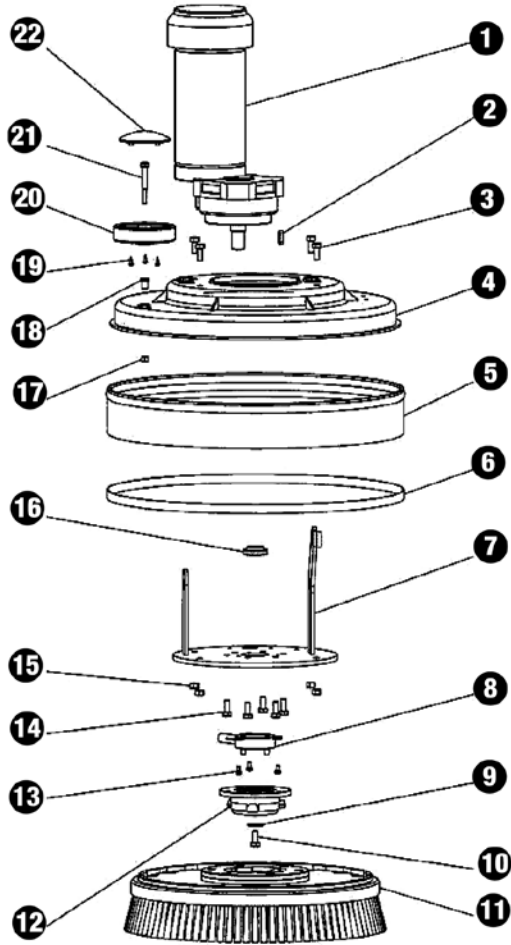
Valve Assembly



REF.	PART NO.	DESCRIPTION	QTY.
1	33808	Hose	1
2	33809	Cover	1
3	33810	O-Ring	1
4	33811	Spring	1
5	33812	Filter	1
6	33813	Washer	1
7	33814	Screw	1
8	33815	Screw	3
9	33816	Filter Support	1
10	33817	O-Ring	1
11	33818	Nut	4
12	33819	Filter Bracket	1
13	33820	Hose	1

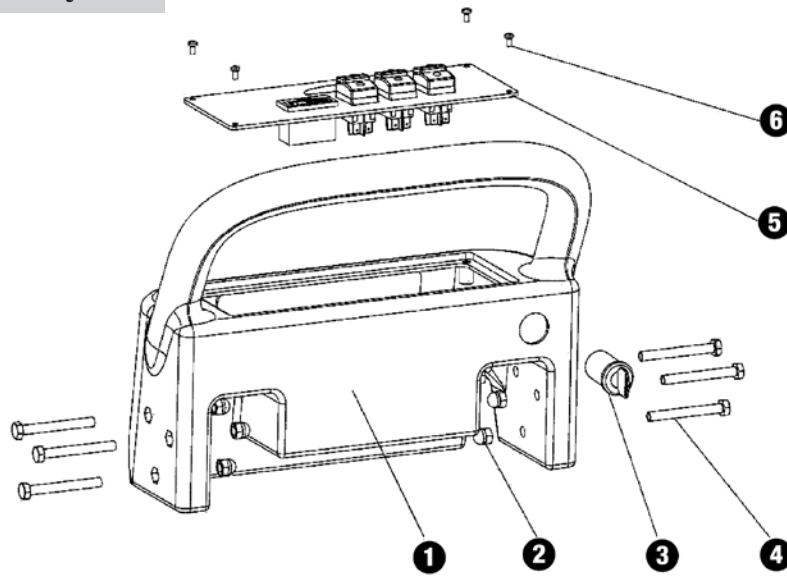
REF.	PARTNO.	DESCRIPTION	QTY.
14	33821	Nut	2
15	33822	Screw	2
16	33823	Bracket	1
17	33824	Bolt	2
18	33825	Solution Solinoid Valve	1
19	33826	Hose	1
20	33827	Nut	3
21	33828	Screw	4
22	33101	Screw	1
		Solution Valve	1
		O-Ring	1
		O-Ring	1
		Solution Control Lever	1

Brush Assembly



REF.	PART NO.	DESCRIPTION	QTY
1	33682	Brush Motor	1
2	33683	Key	1
3	33684	Bolt	4
4	33685	Cover	1
5	33686	Skirt	1
6	33687	Strap	1
7	33688	Bracket	1
8	33689	Water Drain Out	1
9	33690	Washer	1
10	33691	Bolt	1
11	SF616	Brush (See "Replacement Parts")	1
12	33692	Brush Driver	1
13	33693	Screw	3
14	33694	Bolt	5
15	33695	Nut	4
16	33696	Spacer	1
17	33697	Nut	1
18	33698	Liner	1
19	33699	Screw	3
20	33700	Side Pulley	1
21	33701	Bolt	1
22	33702	Lid	1

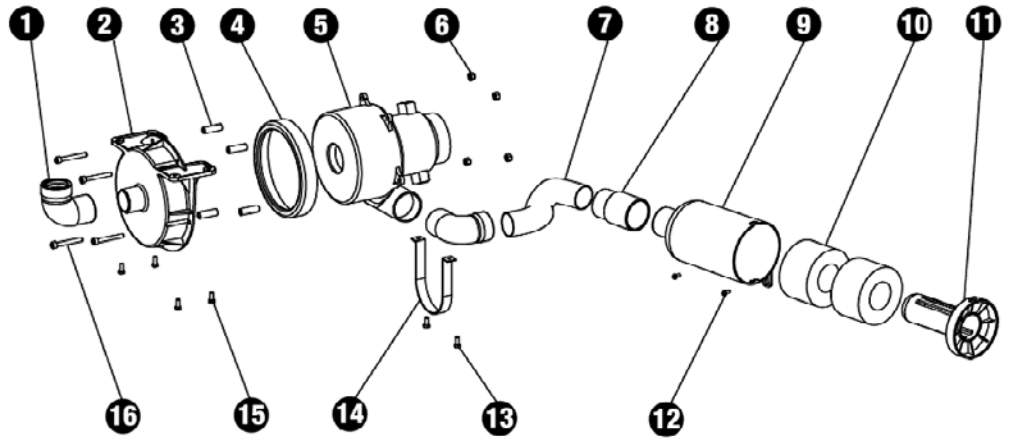
Control Panel Assembly



REF.	PART NO.	DESCRIPTION	QTY
1	33797	Control Box	1
2	33798	Nut	6
3	33799	Key Switch Assembly	1

REF.	PART NO.	DESCRIPTION	QTY
4	33800	Bolt	6
5	33801	Control Panel	1
6	33802	Screw	4

Vacuum Motor Assembly

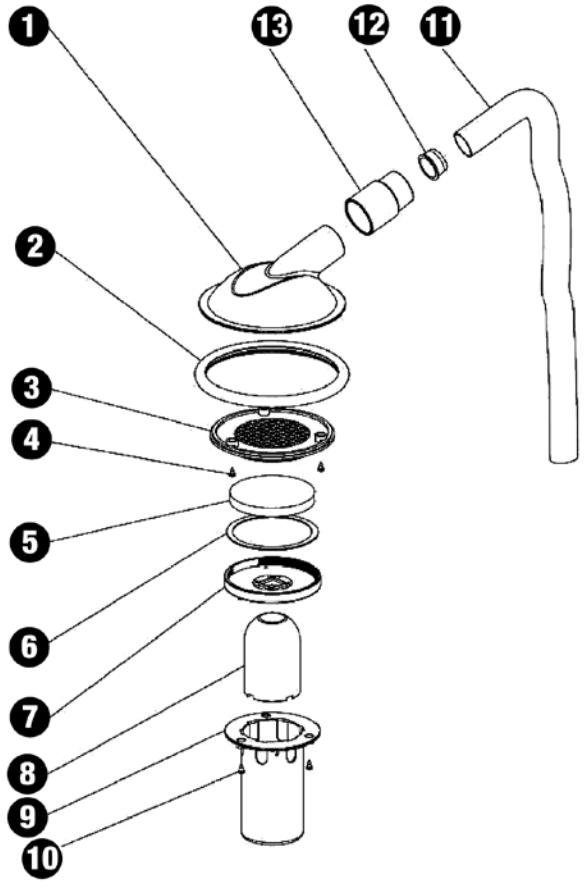


REF.	PART NO.	DESCRIPTION	QTY
9	33711	Muffler	1
10	33712	Sponge	2
11	33713	Core	1
12	33714	Screw	2
13	33715	Bolt	2
14	33716	Spacer Ring	1
15	33717	Bolt	4
16	33718	Bolt	4

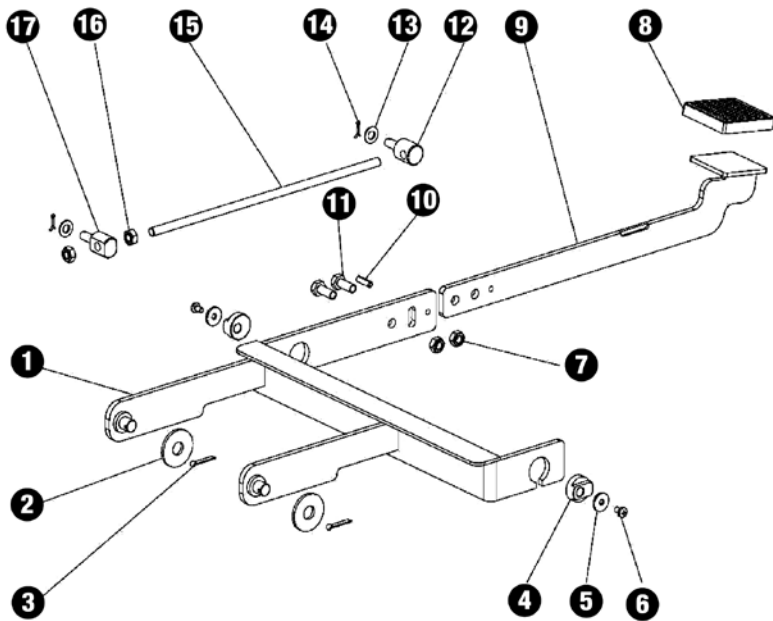
REF.	PART NO.	DESCRIPTION	QTY
1	33703	Elbow	2
2	33704	Bracket	1
3	33705	Connector	4
4	33706	Gasket	1
5	33707	Vacuum Motor	1
6	33708	Nut	4
7	33709	Hose	1
8	33710	Sleeve	1

Float Assembly

REF.	PART NO.	DESCRIPTION	QTY
1	33719	Top Lid	1
2	33720	Seal	1
3	33721	Fitting Mesh	1
4	33722	Screw	3
5	33723	Filter	1
6	33724	Gasket	1
7	33725	Cover	1
8	33726	Float	1
9	33727	Bucket	1
10	33728	Screw	1
11	33729	Hose	1
12	33730	Hose Liner	1
13	33731	Sleeve	1

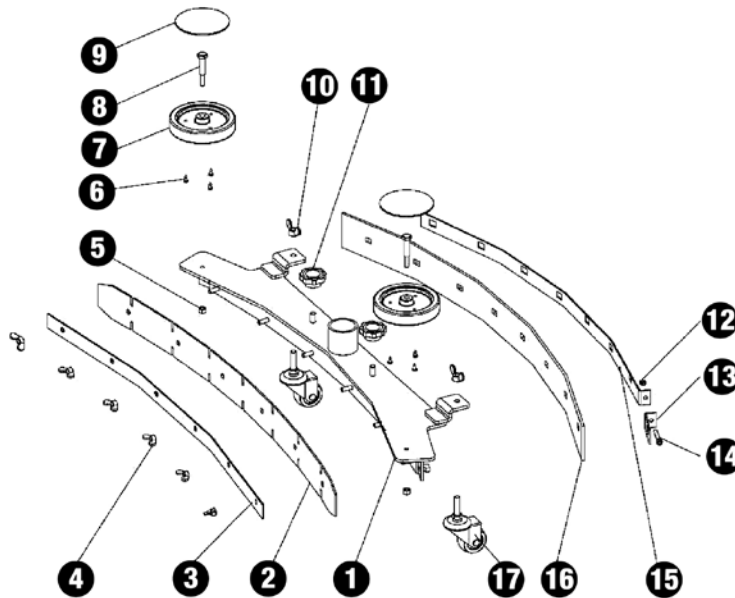


Lift Assembly



REF.	PART NO.	DESCRIPTION	QTY
1	33732	Lift	1
2	33733	Washer	2
3	33734	Pin	2
4	33735	Eccentricity Bushing	2
5	33736	Washer	2
6	33737	Screw	2
7	33738	Nut	2
8	33739	Pedal Cover	1
9	33740	Pedal	1
10	33741	Spring Pin	1
11	33742	Bolt	2
12	33743	Pin Shaft	1
13	33744	Washer	1
14	33745	Cotter Pin	1
15	33746	Arm	1
16	33747	Nut	2
17	33748	Pin Shaft	1

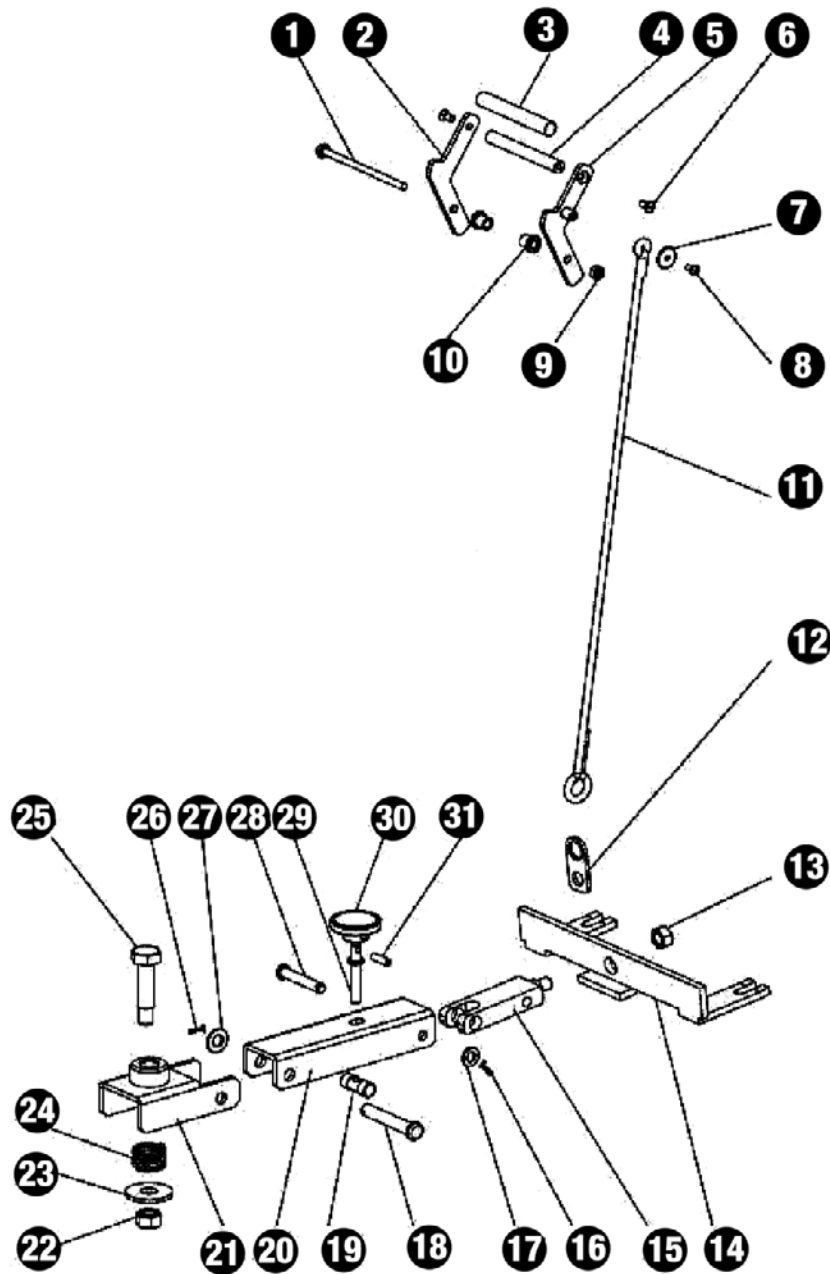
Squeegee Assembly



REF.	PART NO.	DESCRIPTION	QTY
1	33780	Squeegee Assembly	1
2	33781	Squeegee Blade Front	1
3	33782	Squeegee Blade Strap Front	1
4	33783	Butterfly Nut	6
5	33784	Nut	2
6	33785	Screw	3
7	33786	Squeegee Guide Wheel	2
8	33787	Bolt	2
9	33788	Lid	2

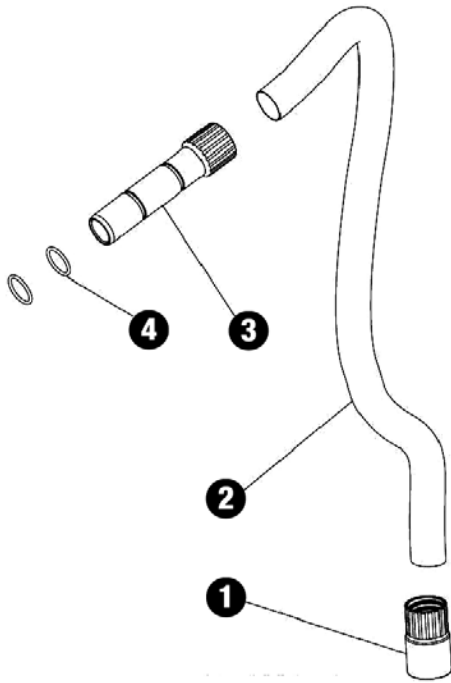
REF.	PART NO.	DESCRIPTION	QTY
10	33789	Butterfly Nut	2
11	33790	Knob	2
12	33791	Nut	1
13	33792	Squeegee Blade Strap Rear	1
14	33793	Bolt	1
15	33794	Strap Rear	1
16	33795	Squeegee Blade Rear	1
17	33796	Castor	2

Squeegee Lift Assembly

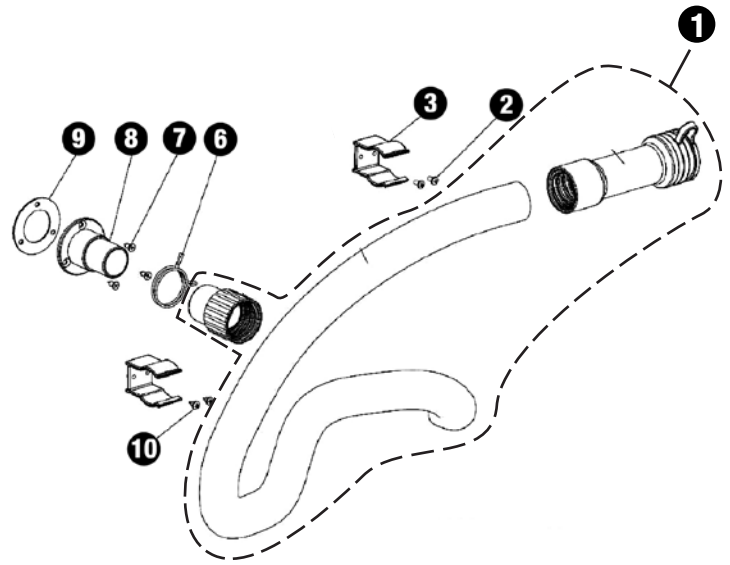


REF.	PART NO.	DESCRIPTION	QTY
1	33749	Bolt	1
2	33750	Plate Right	1
3	33751	Pipe	1
4	33752	Handle	1
5	33753	Plate Left	1
6	33754	Screw	2
7	33755	Washer	1
8	33756	Screw	1
9	33757	Nut	1
10	33758	Liner	3
11	33759	Rope Assembly	1
12	33760	Hang Ring	1
13	33761	Nut	1
14	33762	Balance Frame	1
15	33763	Shaft	1
16	33764	Cotter Pin	1
17	33765	Washer	1
18	33766	Pin Shaft	1
19	33767	Adjust Nut	1
20	33768	Supporting Arm	1
21	33769	Supporting Arm	1
22	33770	Nut	1
23	33771	Washer	1
24	33772	Spring	1
25	33773	Bolt Shaft	1
26	33774	Cotter Pin	1
27	33775	Washer	1
28	33776	Pin Shaft	1
29	33777	Adjust Bolt	1
30	33778	Adjuster	1
31	33779	Spring Pin	1

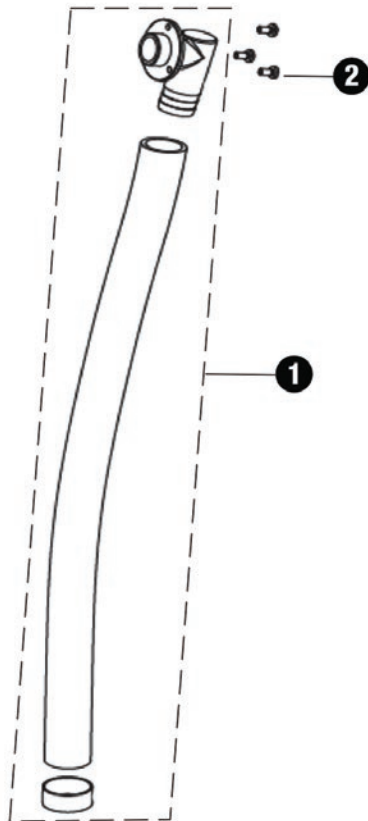
Vacuum Hose Assembly



Recovery Drain Hose Assembly



Water Level Sight Tube



REF.	PART NO.	DESCRIPTION	QTY.
Vacuum Hose Assembly			
1	33829	Sleeve	1
2	33830	Hose	1
3	33831	Sleeve	1
4	33832	O-Ring	2
Recovery Drain Hose Assembly			
1	PAS700	Drain Out Plug	1
2	33834	Screw	2
3	33835	Hose Clamp	2
6	33838	Clamp	1
7	33839	Screw	3
8	33840	Base Joint	1
9	33841	Gasket	1
10	33842	Screw	2
Water Level Sight Tube			
1	XD18W-14-00	Sight hose assembly	1
2	33834	Screws	3

Troubleshooting

Problem:	Possible Cause:
Solution is not being picked up	Vacuum motor is not running Water filter is clogged Recovery tank is full Squeegee or vacuum hose is clogged, broken or disconnected Bad seal at tank cover, vacuum motor or squeegee Worn or misaligned squeegee blades. Incorrect squeegee pressure. Squeegee swing arm mechanism not functioning properly
Squeegee is leaving streaks	Debris is on blade Blades are torn or damaged Floors not properly swept before cleaning
Solution is not feeding or turning off properly	Clogging of hose or valve
Batteries are not holding a charge	Batteries need to be replaced High current draw from high brush pressure Charger needs servicing Battery is run down
Floors are not being scrubbed, stripped or buffed properly	Brush motor not working Excessive pad or brush wear Going too fast over dirty spots Inadequate solution feed Inadequate cleaning procedure

Powr-Flite[®]

A Tacony Company

3101 Wichita Court • Ft. Worth, TX 76140-1755

1-800-880-2913 • Fax: 1-817-551-0719 • www.Powr-Flite.com

PAS17BA-BA-BC-Man 9/2017